

A GinSan Wash & Go car wash unit is shown in a desert landscape. The unit is a tall, silver, industrial-looking machine with a control panel and a nozzle. A blue hose is connected to the nozzle and extends towards a rover in the background. The rover is a six-wheeled vehicle with solar panels and a robotic arm. The background is a rocky, arid desert under a cloudy sky.

# Wash Whatever.. Wherever

## The GinSan® Wash & Go System

*GinSan has thrived in the self-service wash industry for more than thirty years...  
now we're offering all that expertise in a self-contained turnkey unit.*

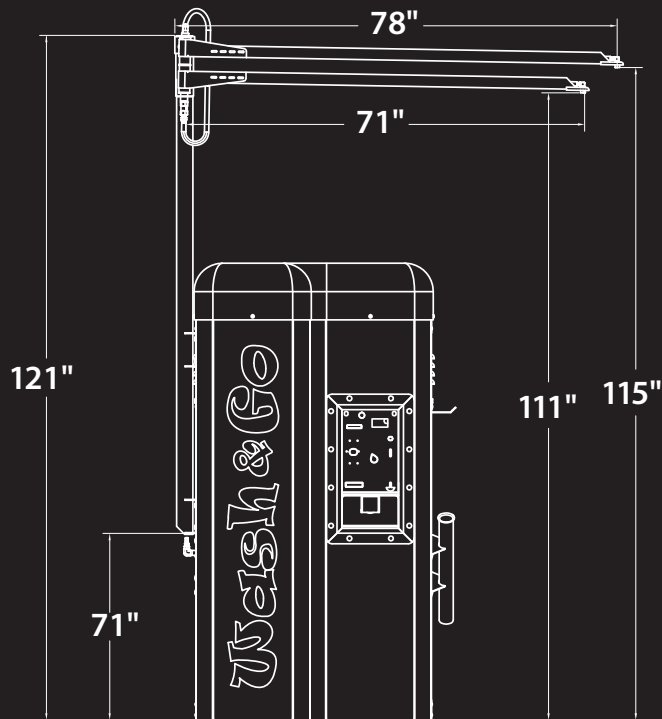
*The all "NEW" GinSan Industries Wash & Go provides a immediate revenue stream to a new or existing business. With curb appeal in mind, the sleek industrial design will draw the curiosity of new and existing customers while creating that "WOW" factor needed for immediate success. Regardless if it is an apartment complex, RV park, fleet facility, detail center or marina... just add water, electricity and simply Wash & Go.*

[www.GinSan.com](http://www.GinSan.com)

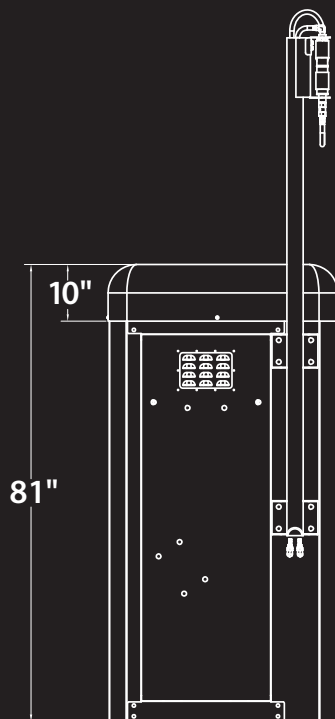
**GinSan®**  
**INDUSTRIES**

800.446.7267

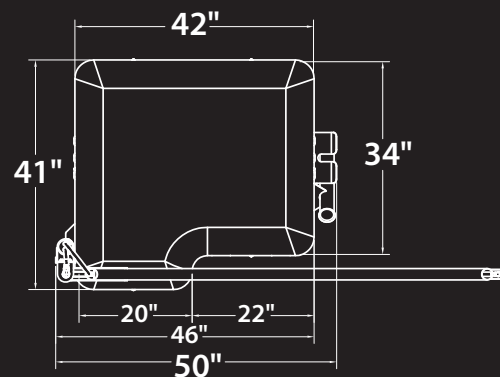
# The GinSan® Wash & Go System



Front View



Side View



Top View

## Features

- Unit will accommodate up to two points of use
- 3 Hp motors (208/240 VAC / 3 Phase)
- CAT 5CP 2140 Direct Drive Pumps (3.5 gpm @ 1200 psi)
- Tankless, direct chemical injection to the pump
- Balances pressure regulation control
- Cold Water Rinse capability
- Preset pressure relief for high pressure pumps
- Low Water cutoff system protection
- Coin drawer with high security American lock
- Two cabinet points of access for equipment maintenance
- Sleek, industrial design creating immediate interest
- Large illuminated Dome and LED Wash & Go signage on cabinet
- Payment door assembly built standard with the 7 function rotary switch and multitrion coin acceptor
- Includes the industries most versatile display timer, the GS-400

## Options

- 5 horsepower motors (208/240 VAC / 3 Phase)
- High and low pressure boom assemblies
- Liberator credit card system
- Bill Acceptance
- 3 Hp motors (208/240VAC / 1 Phase)